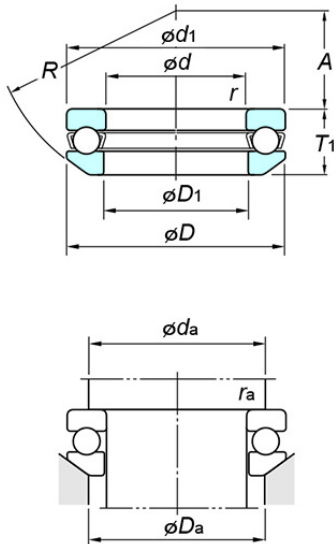


Thrust ball bearings - Single direction - With spherical back face



### Bearing No. 53210

#### Specifications

##### (Boundary dimensions ...etc)

d(mm)	50
D(mm)	78
T(mm)	23.5
r(min.)(mm)	1
Basic load ratings Ca(kN)	60.6
Basic load ratings C0a(kN)	111
Fatigue load limit : Cu(kN)	5.05
Limiting speeds(Grease lub.)(min-1)	2300
Limiting speeds(Oil lub.)(min-1)	3600
d1(max.)(mm)	78
D1(min.)(mm)	52
D2(mm)	-
D3(mm)	-
A(mm)	32.5
R(mm)	64
C(mm)	-

#### Mounting dimensions

da(min.)(mm)	67
Da(max.)(mm)	61
ra(max.)(mm)	1

#### Refer.

(Refer.)Mass(kg)	0.380
------------------	-------